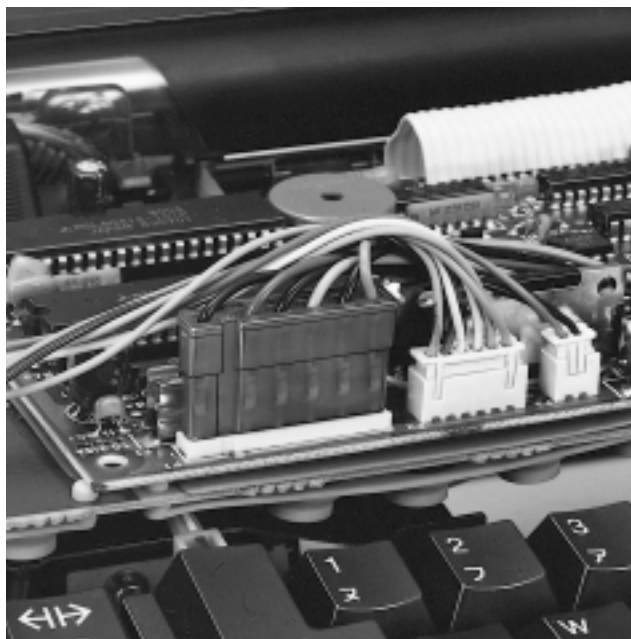


JST

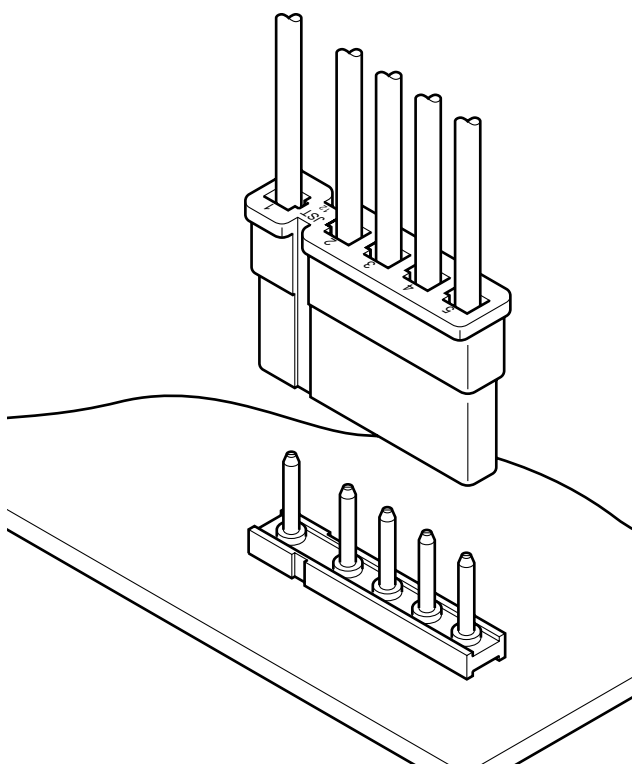
Crimp

5.0mm
(.197") pitch

V CONNECTOR

Disconnectable Crimp style connectors

The V connector can have from two to six circuits. A single contact position is provided 7.5mm (.295") away from the adjacent position, while the pitch of other positions is 5.0mm (.197"). This prevents reverse connection of the receptacle and header.



Features

• **Anti-misinsertion construction**

One position has a different pitch than the others. This provides the connector with polarization and prevents misinsertion.

• **Two-point contact**

Each contact has two wiping areas which ensure stable and reliable connection.

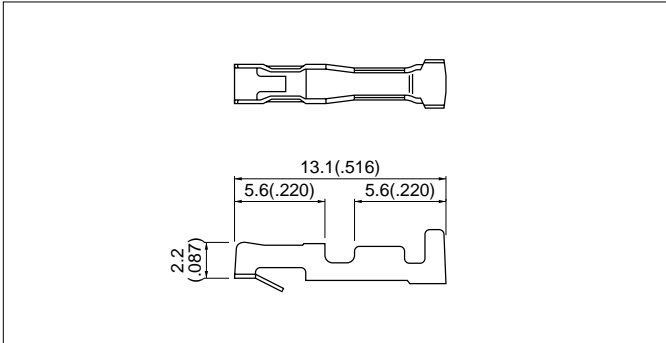
Specifications

- Current rating: 5A AC, DC (AWG#20)
 - Voltage rating: 250V AC, DC
 - Temperature range: -25°C to +85°C
(including temperature rise in applying electrical current)
 - Contact resistance: Initial value/10m Ω max.
After environmental testing/20m Ω max.
 - Insulation resistance: 1,000M Ω min.
 - Withstanding voltage: 1,500V AC/minute
 - Applicable wire: AWG #26 to #20
 - Applicable PC board thickness: 1.6mm(.063")
- * Contact JST for details.

Standards

- Recognized E60389
- 1 Certified LR20812
- 2 R75171

Contact



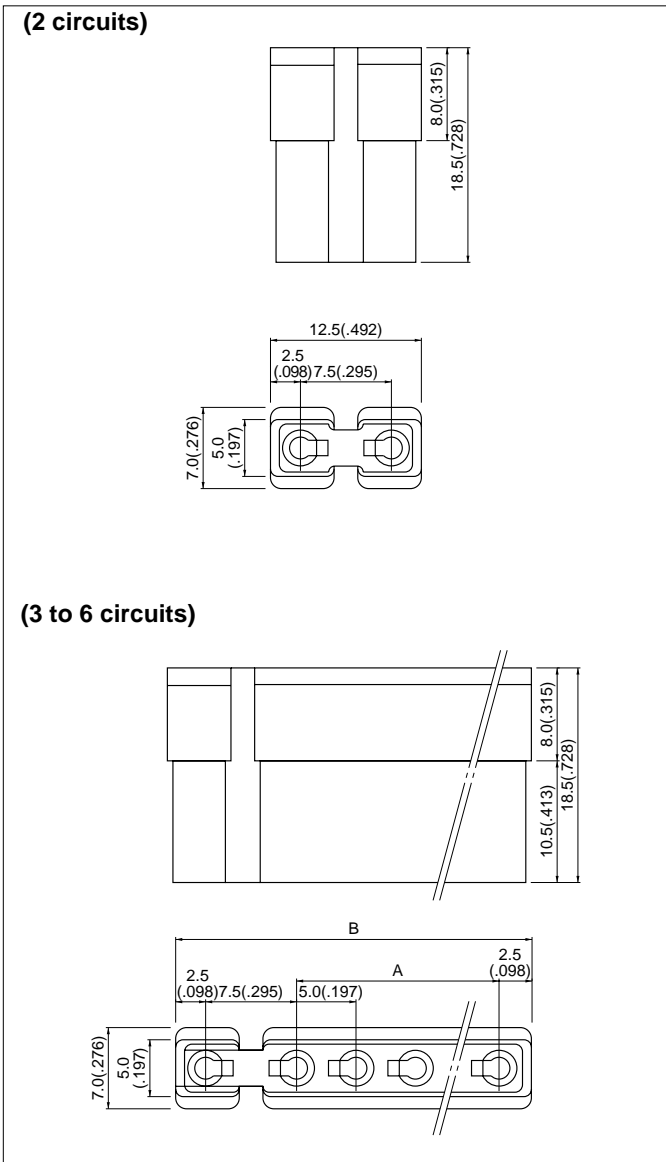
Model No.	Applicable wire			Q'ty / reel
	mm ²	AWG #	Insulation O.D. mm(in.)	
SVF-01T-1.5A	0.13 to 0.5	26 to 20	1.3 to 2.7(.051 to .106)	15,000

Material and Finish

Brass, tin-plated

Note: Contact JST for details if you require shielded wires, thin wires or other special wires, or if two wires must be crimped in one contact.

Housing



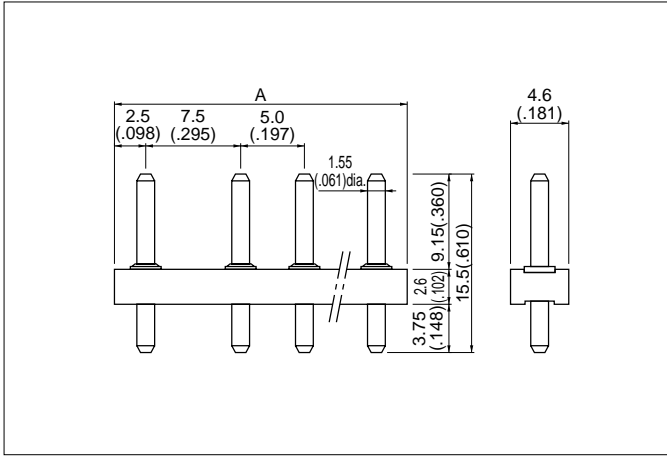
Cir-cuits	Model No.	Dimensions mm(in.)		Q'ty / bag
		A	B	
2	2P-SVF-V	-	12.5(.492)	1,000
3	3P-SVF-V	5.0(.197)	17.5(.689)	1,000
4	4P-SVF-V	10.0(.394)	22.5(.886)	500
5	5P-SVF-V	15.0(.591)	27.5(1.083)	500
6	6P-SVF-V	20.0(.787)	32.5(1.280)	500

Material

Nylon 6, UL94V-0, natural (white)

V CONNECTOR

Header

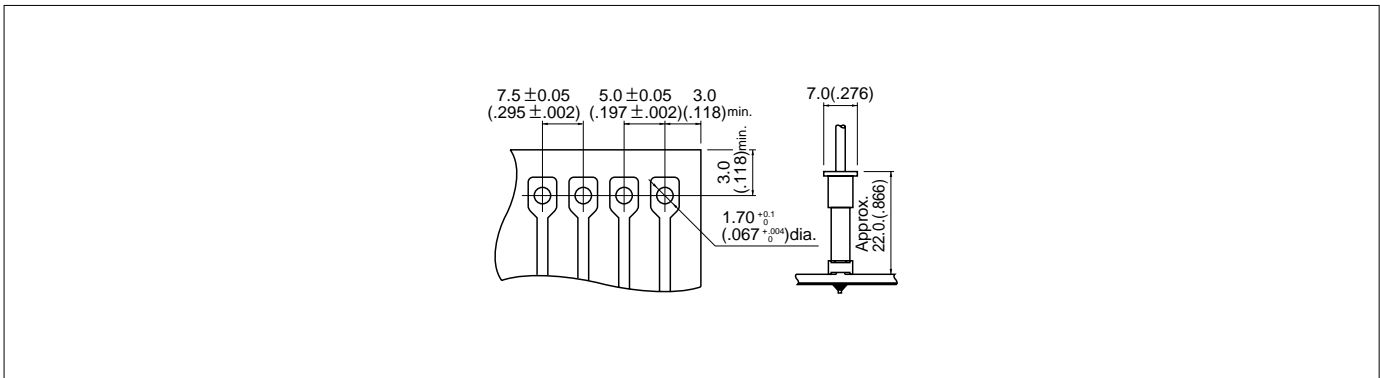


Cir-cuits	Model No.	Dimension A mm(in.)	Q'ty / box
2	RTB-1.5-2P	12.5(.492)	1,000
3	RTB-1.5-3P	17.5(.689)	1,000
4	RTB-1.5-4P	22.5(.886)	500
5	RTB-1.5-5P	27.5(1.083)	500
6	RTB-1.5-6P	32.5(1.280)	250

Material and Finish

Pin: Brass, copper-undercoated, tin/lead -plated
 Wafer: Glass-filled PBT, UL94V-0, natural (ivory)

PC board layout (viewed from soldering side) and Assembly layout



Note:

1. Tolerances are non-cumulative: $\pm 0.05\text{mm}(\pm .002")$ for all centers.
2. Hole dimensions differ according to the kind of PC board and piercing method. The dimensions above should serve as a guideline. Contact JST for details.